



www.esbe.se

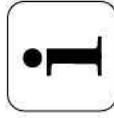


ADAPTER KIT VRG801

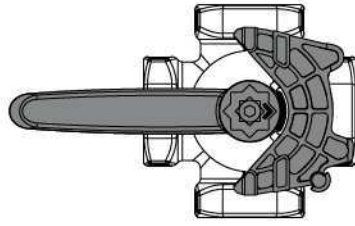


NO.1 IN HYDRONIC SYSTEM CONTROL

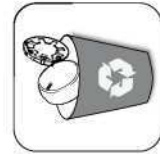
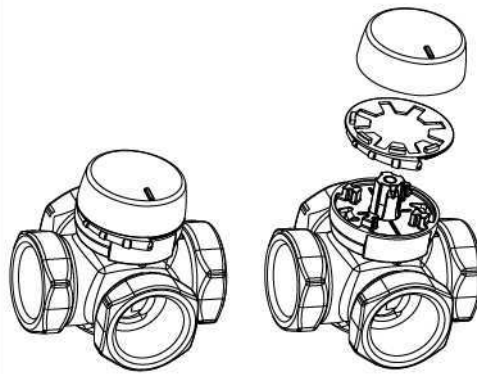
Mod.nr. 9814 03 02 • Rit.nr. 8065 utg. B • Rev. 0806



Series 90  
Series 90C  
Series 90K

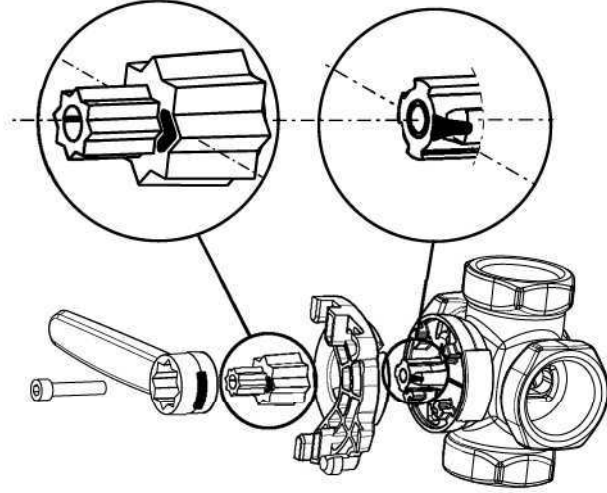


1



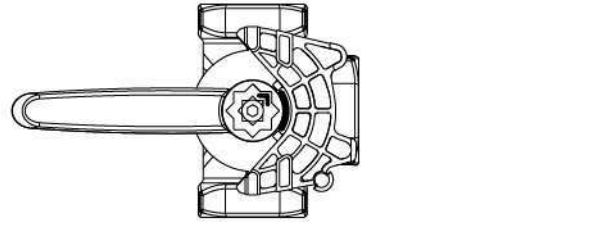
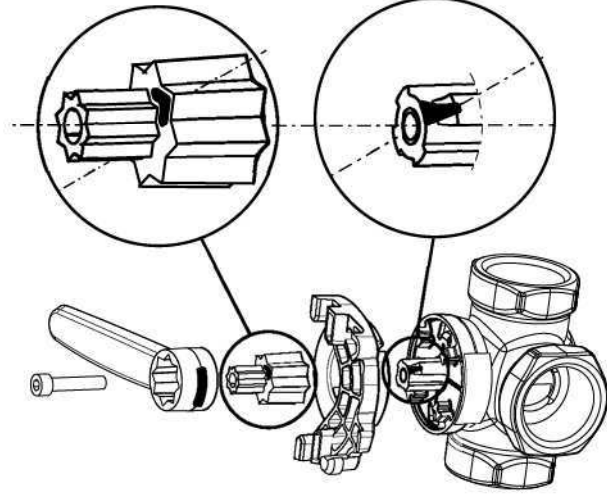
2a

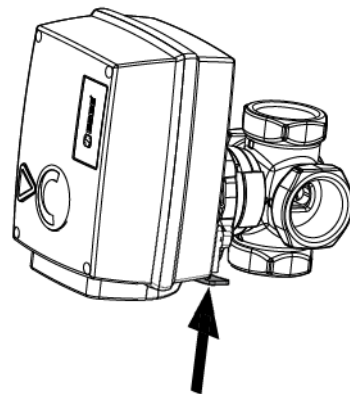
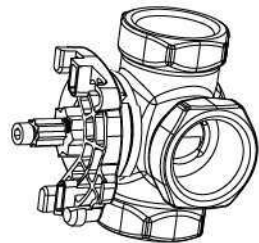
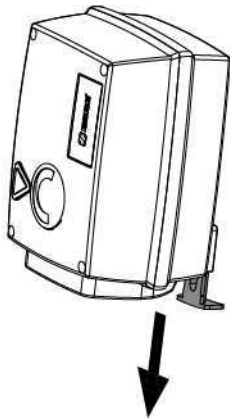
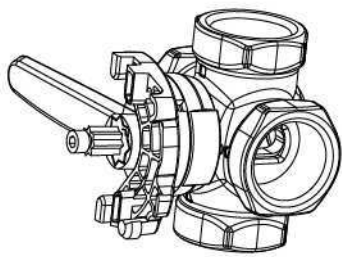
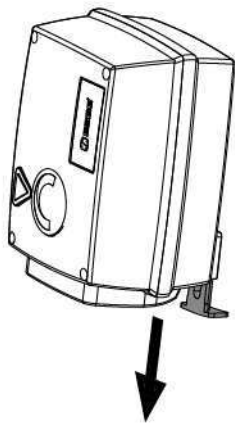
Series VRG140, VRB140



2b

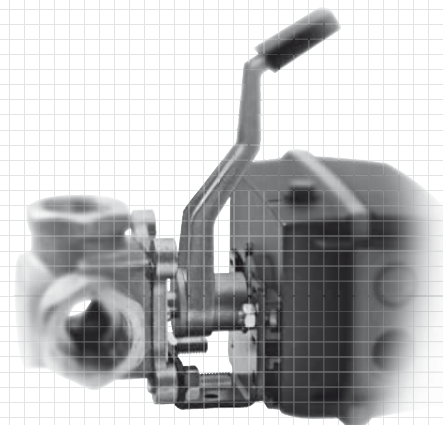
Series VRG130, VRG230, VRG330







www.esbe.se



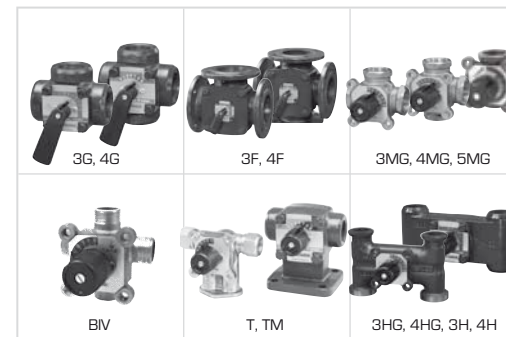
**ADAPTER KIT 900**



**NO.1 IN HYDRONIC SYSTEM CONTROL**

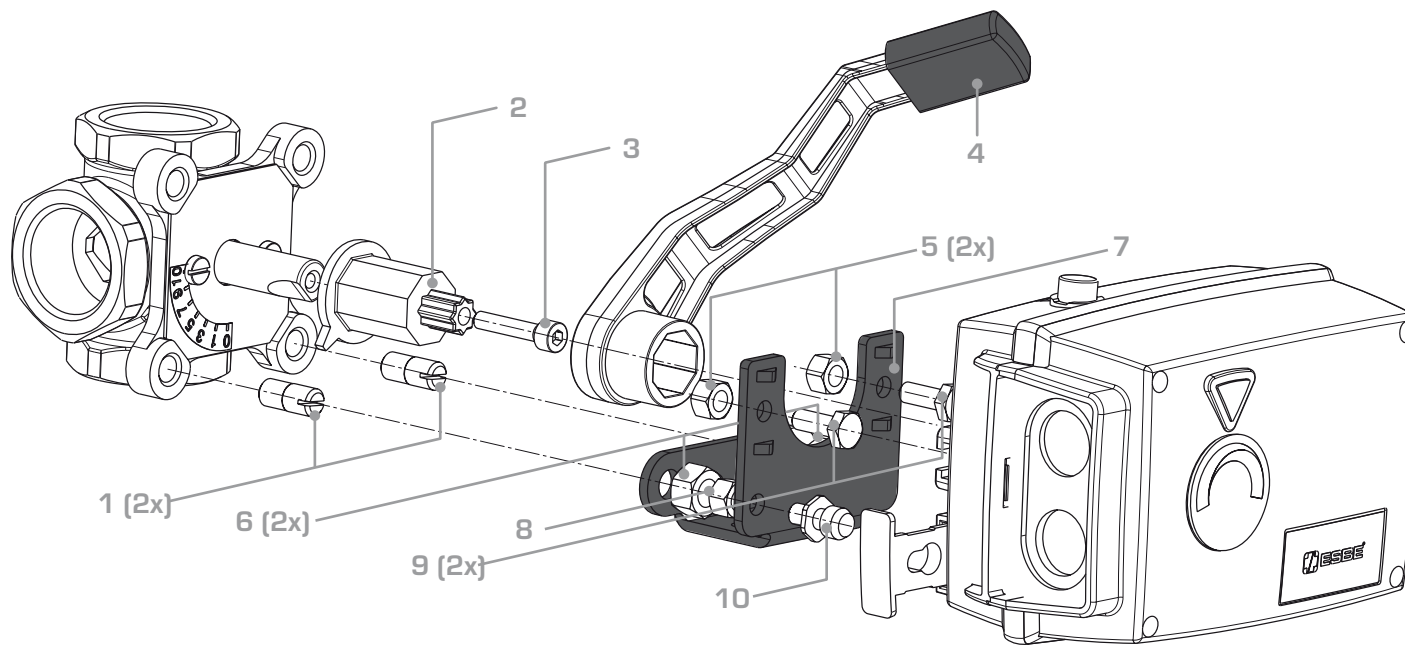


Series 90  
Series 90C  
Series 90K

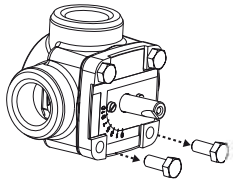


Mtrl.nr. 98140307 • Ritn.nr. 9153 utg. B • Rev. 0806

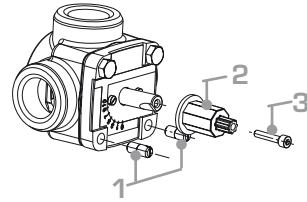
**1 Series MG, G, F, BIV, H/HG, T/TM**



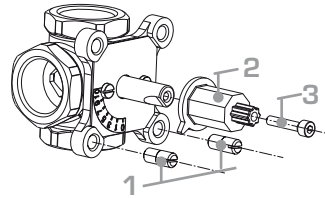
**2 Series MG, G, F, BIV, H/HG, T/TM**



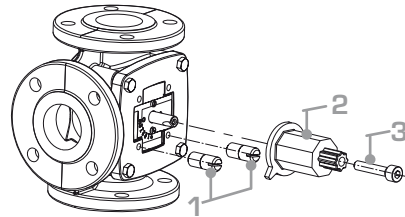
Series G



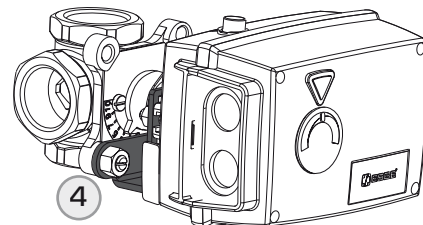
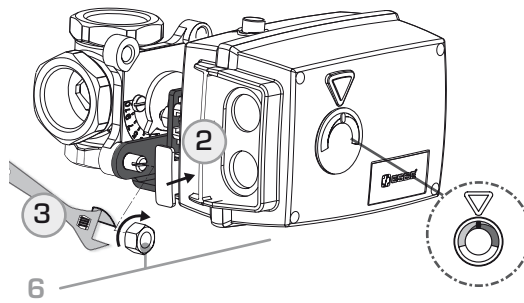
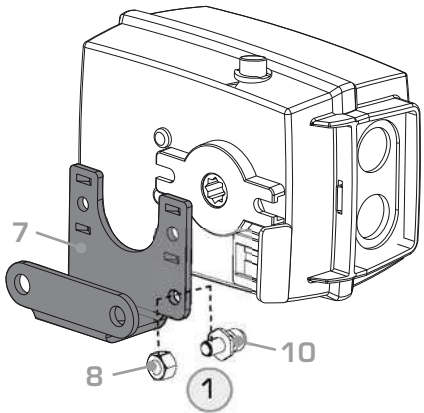
Series MG, BIV, H/HG,  
T/TM



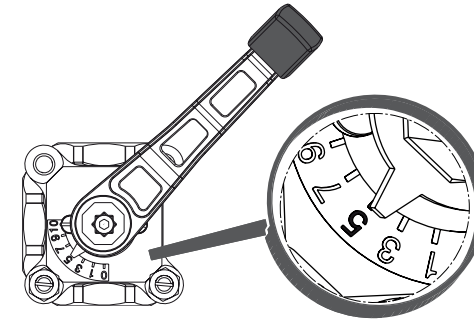
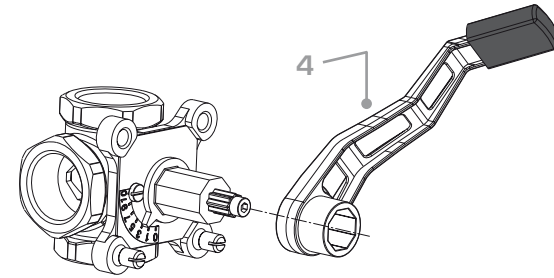
Series F



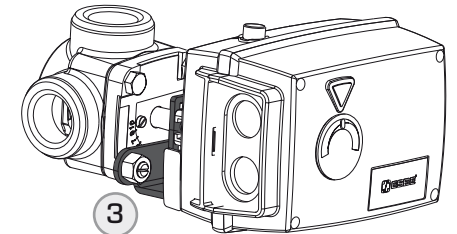
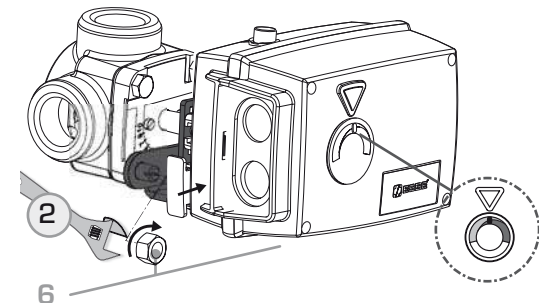
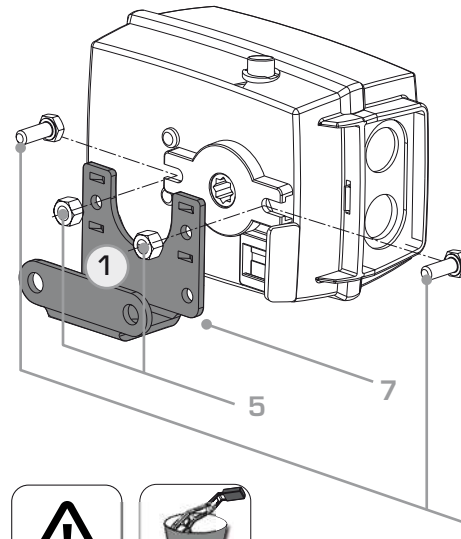
**4a Series 92P4, 95M-270 - DN 15-40,**



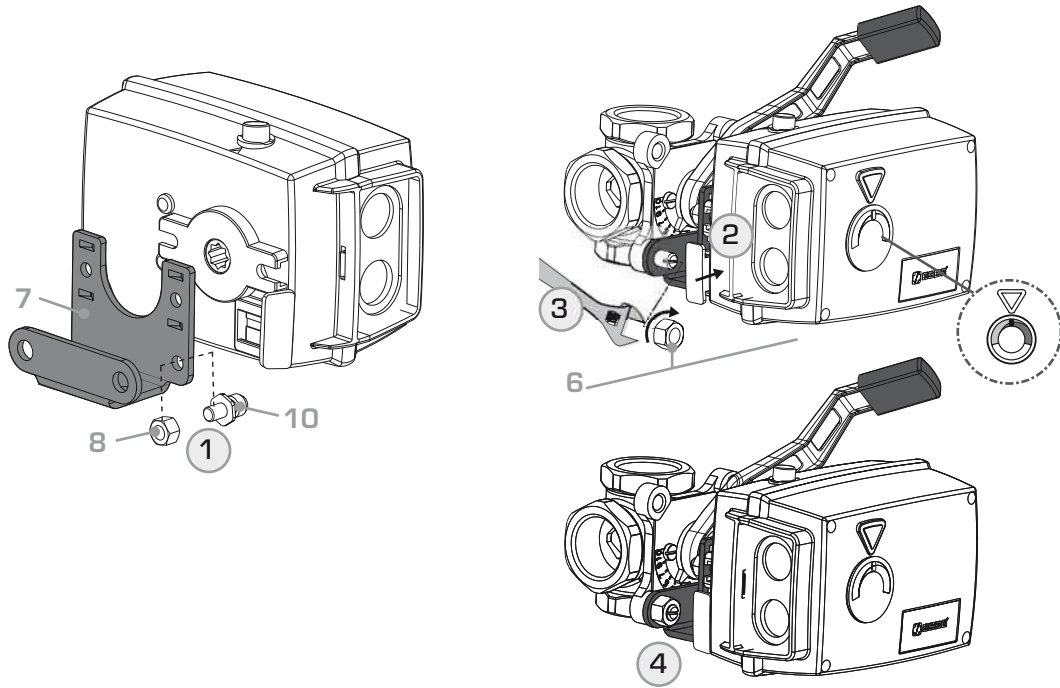
**3 Series MG, G, F, BIV, H/HG, T/TM**



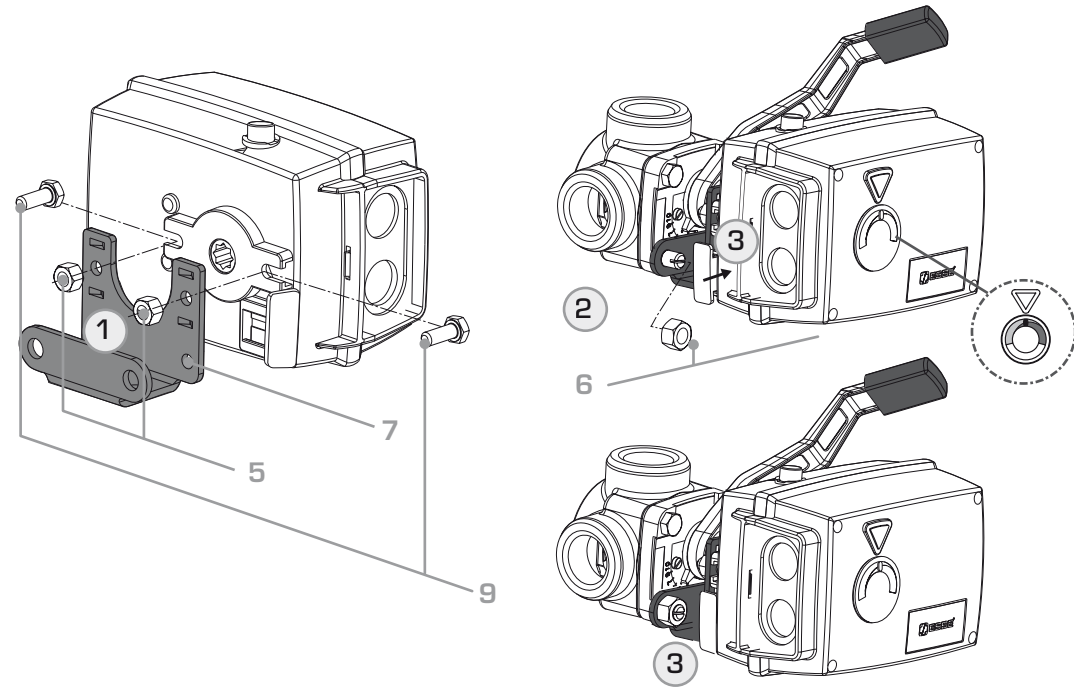
**4b Series 92P4, 95M-270 - DN 50-150**



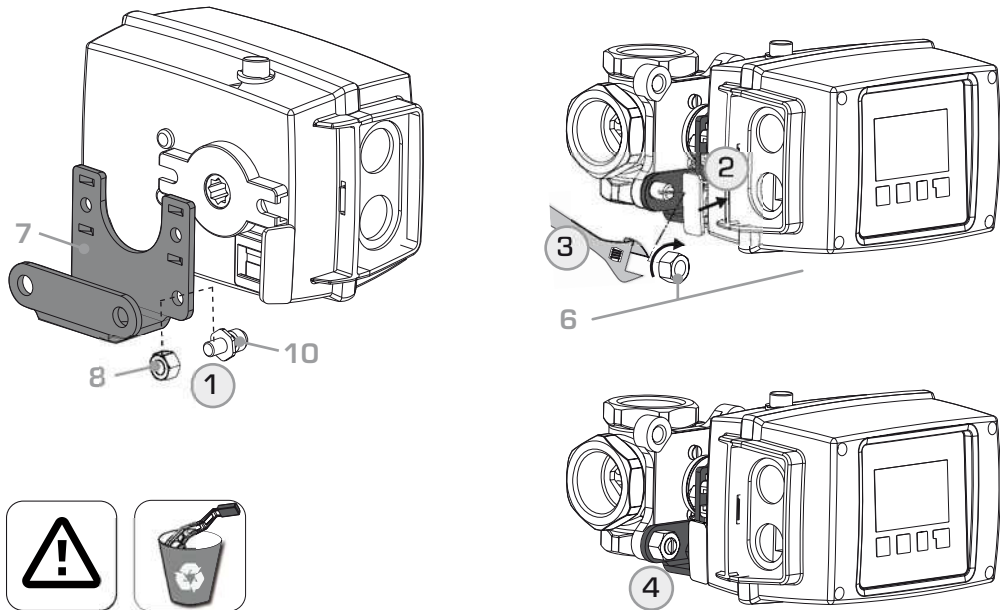
4c Series 90, 90K - DN15-40



4d Series 90, 90K - DN50-150



4e Series 90C - DN 15 - 40



4f Series 90C - DN 50 - 150

